

The WK10HD tool is a precision instrument and it is recommended that it be serviced by an appointed BTB service agent

Humberside Power Tools

434 Beverley Road
Hull, East Yorkshire, HU5 1LP
ENGLAND
Tel: +44 (0) 1482 445 111
or +44 (0) 1482 448 477
Fax: +44 (0) 1482 445 111
E-Mail: hpt@434beverleyroad.freeserve.co.uk

Opindus

1 Rue Maurice Audibert
69800 Saint Priest
FRANCE
Tel: +33 4 7821 7314
Fax: +33 4 7821 7301
E-Mail:
Web:

Gustav Basser Drucklufttechnik

In der Krim 26
D-42369 Wuppertal
GERMANY
Tel: + 49 202 460 120
Fax: +49 202 460 1245
E-Mail: HelgaGrunewald@Schulte-Basser.de

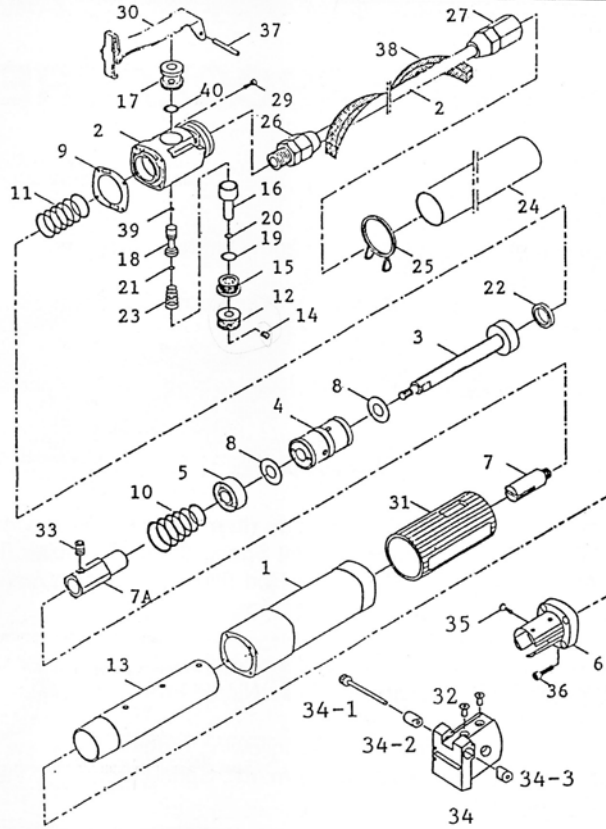
BTB Tools NA Logistics & Services

121 Fourth Street
South Fulton, TN 38257
USA
Tel: +1 888 293 1816
Fax: +1 888 293 1896
E-Mail: btbna@bellsouth.net
Web: www.btbttools.com

AIR TOOL OPERATION

- * Always shut off the air supply, and disconnect the air tool from the air supply, when changing blades, making repairs, or when tool is not in use.
- * For maximum performance, air tool should be oiled daily (a multi-purpose fine grade air tool oil is recommended).
- * Do not exceed air tool operating pressure (6.2 Bar).
- * Minimum to maximum air tool power is obtained by turning the air control valve.
- * Do not operate the air tool at high speed when not in use.
- * Do not start the air tool until the tool and blade are in the correct operating position.
- * Maintain a balanced body position and secure footing when operating tool.
- * Only use recommended blades or accessories in the Windscreen Removal Air Tool.
- * This tool should only be used and repaired by qualified technicians.
- * Only use air tool in accordance with manufacturers specifications and approved applications.

RECIPROCATING AIR POWER TOOL



Part No.	Description	Qty/ Tool
B1	Main Body	1
B2	Regulator Valve Cap	1
B3	Piston Rod	1
B4	Piston	1
B5	Collar	1
B6	Guide Head	1
B7	Chuck Holder	1
B7A	Chuck Insert	1
B8	O-Ring (3.5 90 shore-A)	2
B9	Gasket	1
B10	Front Spring	1
B11	Rear Spring	1
B12	Valve Knob	1
B13	Sleeve	1
B14	Set Screw	1
B15	Regulator	1
B16	Regulator	1
B17	Valve Bush	1
B18	Valve	1
B19	O-Ring	1
B20	O-Ring	1
B21	O-Ring	1

Part No.	Description	Qty/ Tool
B22	Piston Washer	1
B23	Spring	1
B24	Muffer	1
B25	Muffer Clip	1
B26	Hose Nipple Front	1
B27	Hose Nipple Rear (Filter)	1
B28	Air Hose	1
B29	Screw Rear	4
B30	Lever	1
B31	Body Cover	1
B32	Cap Screw (7 mm)	2
B33	Set Screw	1
B34	Controller Cap	1
B34-1	Clamp Screw	1
B34-2	Plain Jaw	1
B34-3	Threaded Jaw	1
B34-4	Jaw Spring	2
B36	Front Screw	4
B37	Lever Pivot Pin	1
B38	Urethane Foam	1
B39	O-Ring	1
B40	O-Ring	1

AIR TOOL TECHNICAL DATA

FREE SPEED BPM	5000
STROKE LENGTH MM	8mm
NOISE	75-76 (BY 1M)
AIR INLET MM	6mm (1/4")
AIR PRESSURE BAR	6.2
AIR CONSUMPTION L/MIN	230
WEIGHT KG	1.15
OVERALL LENGTH MM	260 W/O HOSE